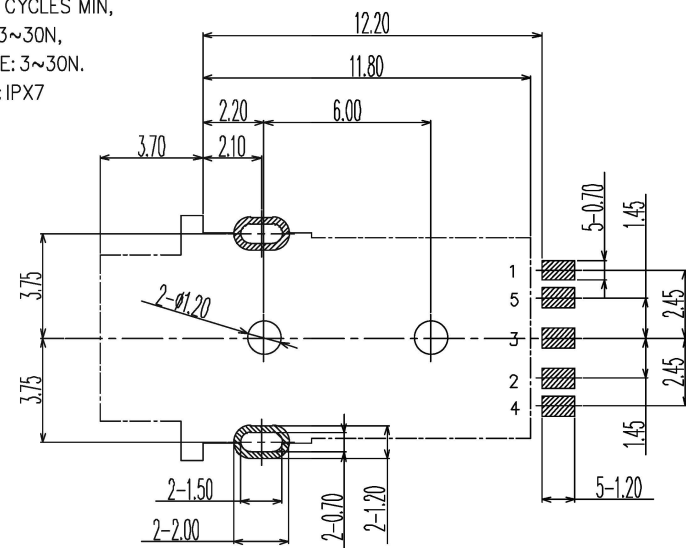
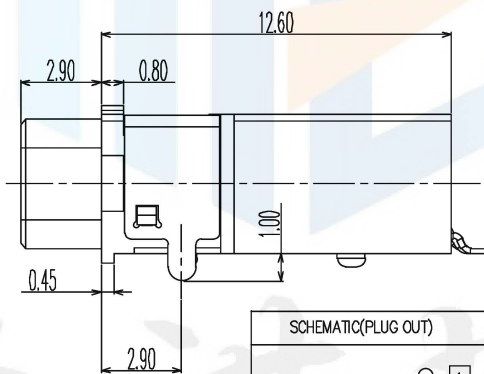
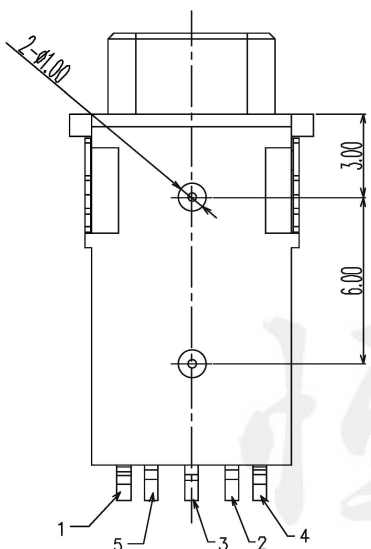
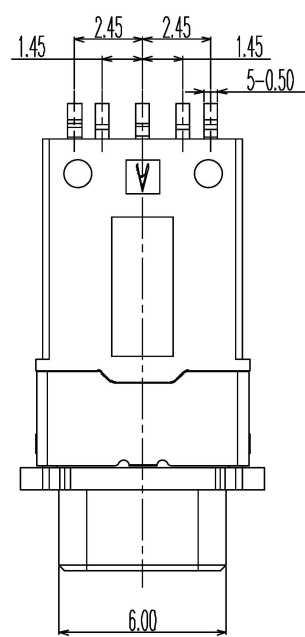
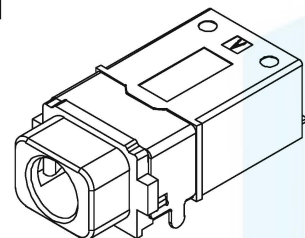
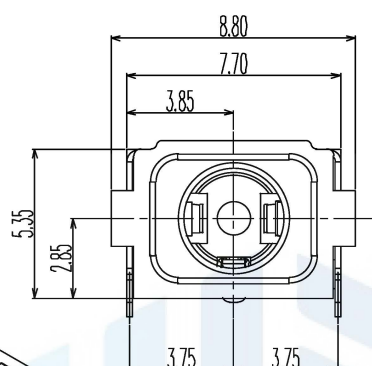
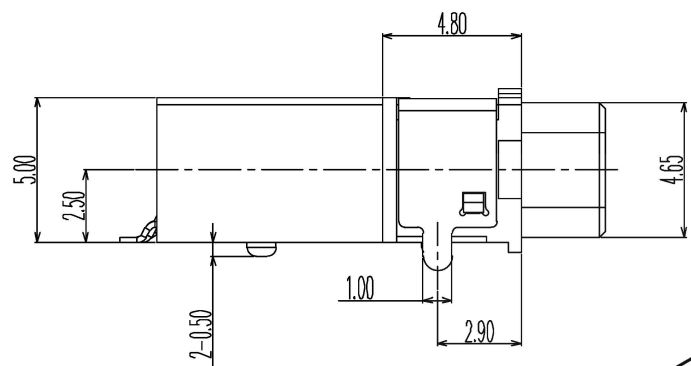


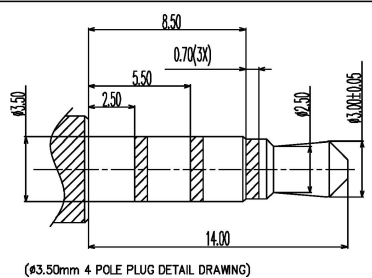
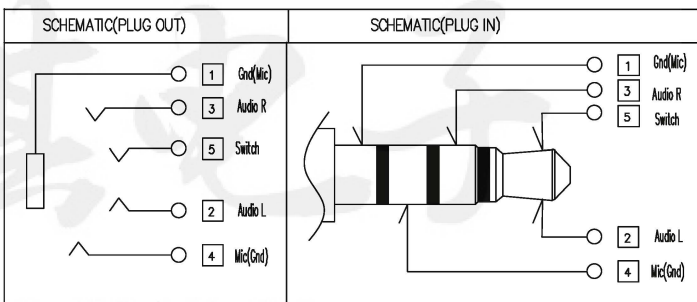
RoHS
COMPLIANT

SPECIFICATION :

- 1.CURRENT RATING: DC 0.5A MAX.
- 2: VOLTAGE RATING: DC 12V.
- 3: CONTACT RESISTANCE: 50mΩ MAX.
- 4.INSULATION RESISTANCE: 100MΩ MIN. AT 500V DC.
- 5.WITHSTANDING VOLTAGE: 500V AC FOR 1 MINUTE.
- 6.LIFE TEST: 5000 CYCLES MIN,
- 7.MATING FORCE: 3~30N,
UNMATING FORCE: 3~30N.
- 8.TEPROOF LEVEL: IPX7



RECOMMENDED P.C.B LAYOUT
TOP VIEW



(#3.50mm 4 POLE PLUG DETAIL DRAWING)

设计:	Arvin: 2016.03.08	范围 Range	公差 Tolerance
审核:	Arvin:	X.X ±	X.X ±0.30
校对:	Ru yi:	X.XX ±	X.XX ±0.20
比例:	视角关系:	X.XXX ±	X.XXX ±0.10
版次:	图框大小: A4	Angle ±	Angle ±5°

东莞市恒祺电子科技有限公司

名称: 防水耳机插座 型号: PJ-825
料号:

共 张 , 第 张 备注: