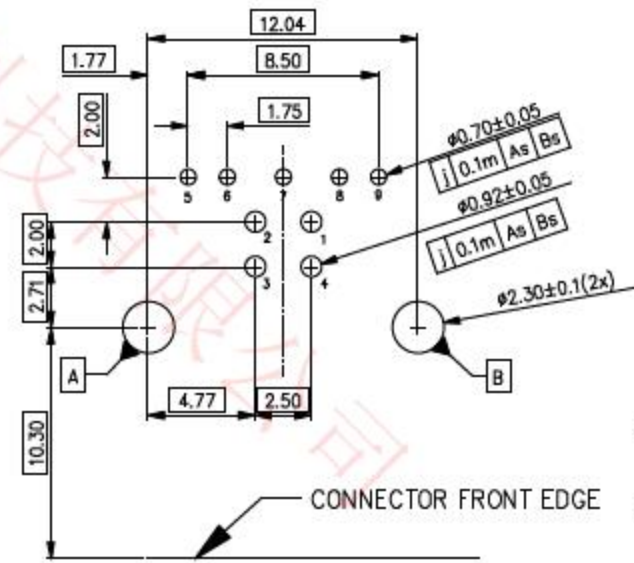
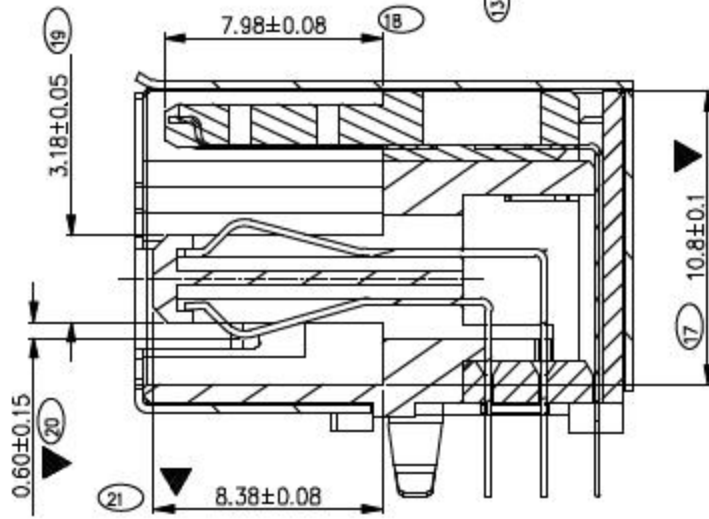


- NOTE:
- MATERIAL:
 - INSULATOR: LCP UL 94V-0
 - CONTACT: COPPER(5PIN: T=0.20/4PIN: T=0.25)
 - SHELL: BRASS(T=0.30/T=0.20)
 - ELECTRICAL CHARACTERISTICS:
 - CONTACT RESISTANCE: 30mΩ MAXIMUM
 - CONTACT CURRENT RATING: 1.5A
 - DIELECTRIC WITHSTANDING VOLTAGE: 100VR.M.S.
 - INSULATION RESISTANCE 100 MEGOHMS MIN
 - OPERATING TEMPERATURE: -40°C ~ 85°C
 - MECHANICAL CHARACTERISTICS:
 - MATING FORCE: 3.57kg MAX
 - UNMATED FORCE: 1.02kg MIN INITIAL/0.82kg MIN AFTER TEST.
 - DURABILITY: 1,500 CYCLES MIN
 - PLATING
 - TERMINAL: 50u" MIN NICKEL ALL OVER 80u" MIN Tin ON SOLDER AREA(1~30)u" Au ON CONTACT AREA
 - SHELL: NICKEL PLATED
- 5." ▽ FOR MAJOR DIM.
6." ⊕ FOR FAI DIM.
7.PART ON.



SERIES CODE: 930 -0050X- XXX-XX

FEMALE

Mould FLOW NO.

FLOW NO.

MATERIAL: A: LCP B: PBT
C: PA9T D: PA46 E: PA66
F: PVC G: ABS

1: TRAY PACKAGING
2: TAPE REEL PACKAGE
1.RoHS 2.HALOGEN FREE

PLATING:
1: G/F 4: Gold 10u"
2: Gold 3u" 5: Gold 15u"
3: Gold 5u" 6: Gold 30u"

COLOR: 2: WHITE 5: BLACK 9: BLUE

SECTION A-A

RECOMMENDED PCBA LAYOUT

设计:	Arvin: 2016.03.08	范围 Range	公差 Tolerance
审核:	Arvin:	X.X ±	X.X ±0.30
校对:	Ru yi:	X.XX ±	X.XX ±0.20
比例:	视角关系:	X.XXX ±	X.XXX ±0.10
版次:	图框大小: A4	Angle ±	Angle ±5°

东莞市恒祺电子科技有限公司

名称: USB插座 料号:

型号: USB3.0 B母90度

共 张 , 第 张 备注: