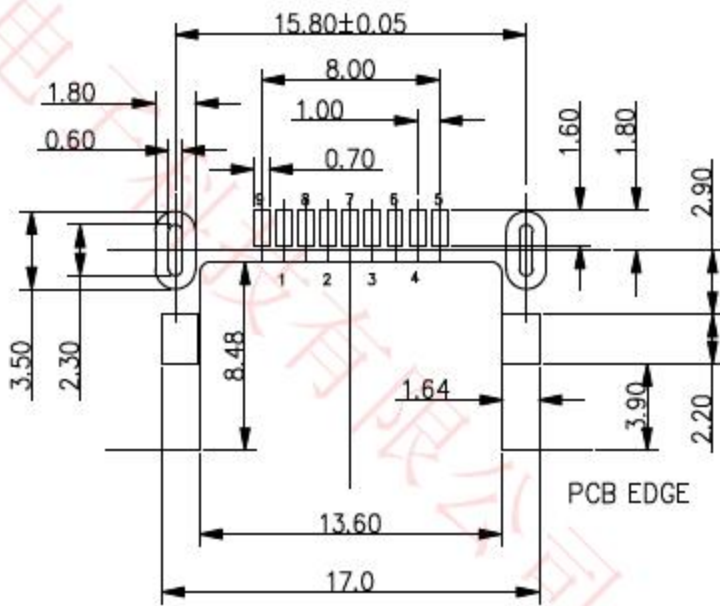
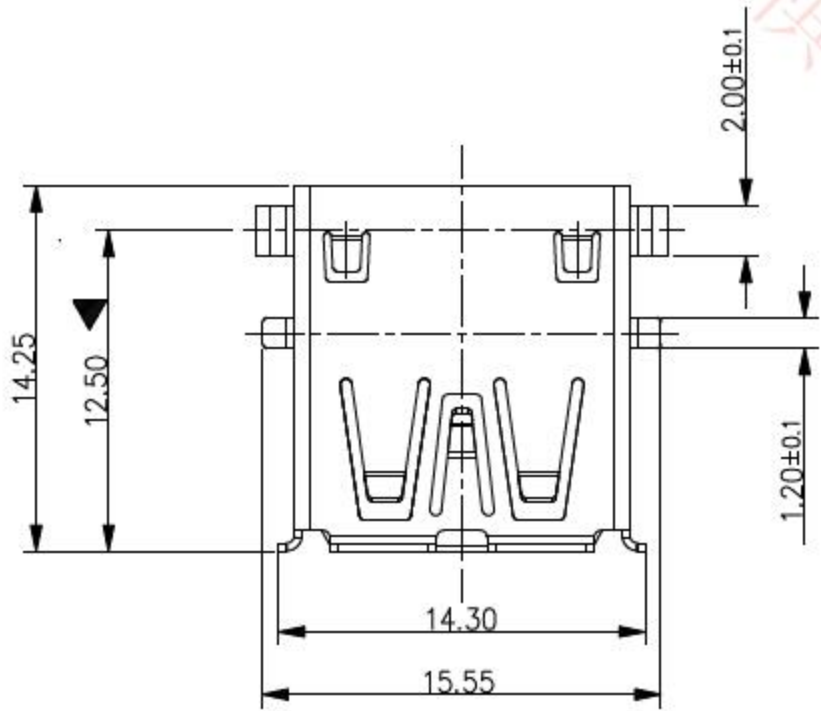
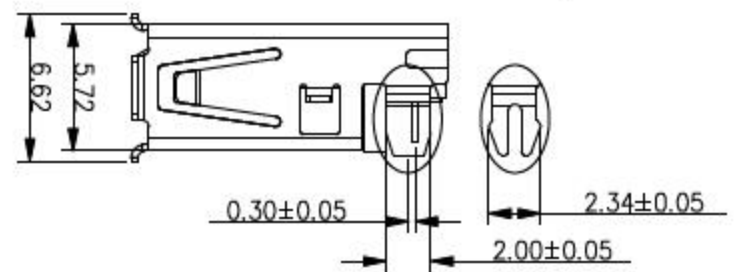
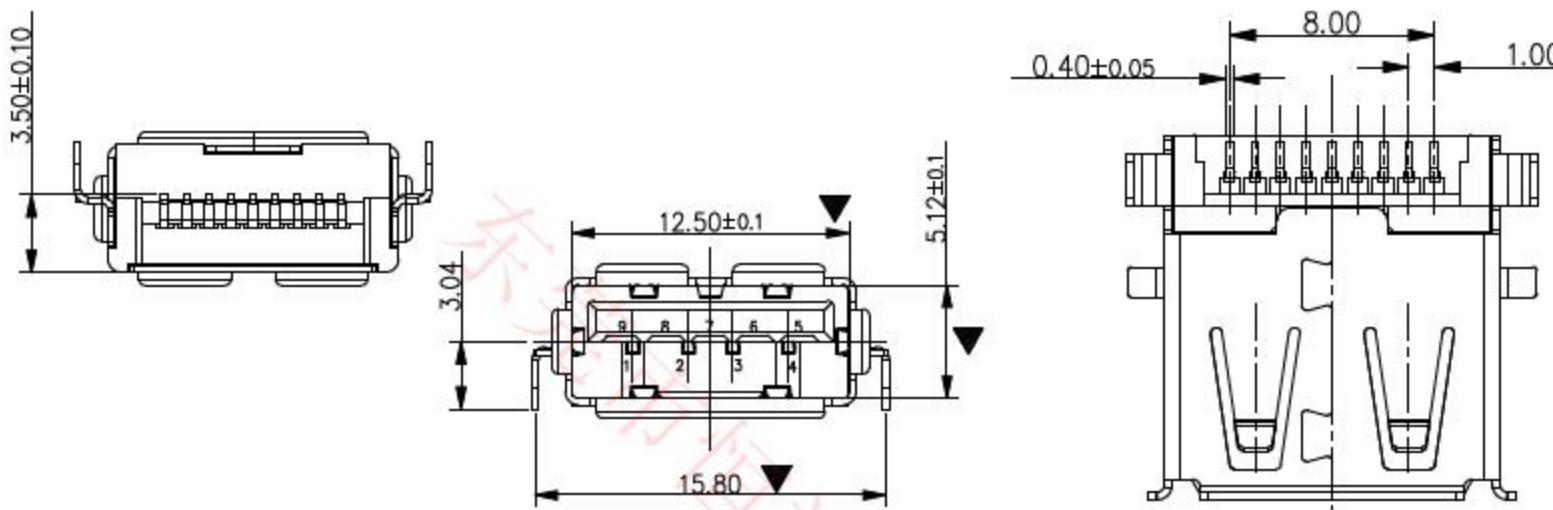


设计:	Arvin: 2016.03.08	范围 Range	公差 Tolerance
审核:	Arvin:	X.X ±	X.X ±0.30
校对:	Ru yi:	X.XX ±	X.XX ±0.20
比例:	视角关系:	X.XXX ±	X.XXX ±0.10
版次:	图框大小: A4	Angle ±	Angle ±5°

东莞市恒祺电子科技有限公司

名称: USB插座 料号:
 型号: USB3.0 A/F沉板3.5贴片14.25MM无卷边
 共 张 , 第 张 备注:

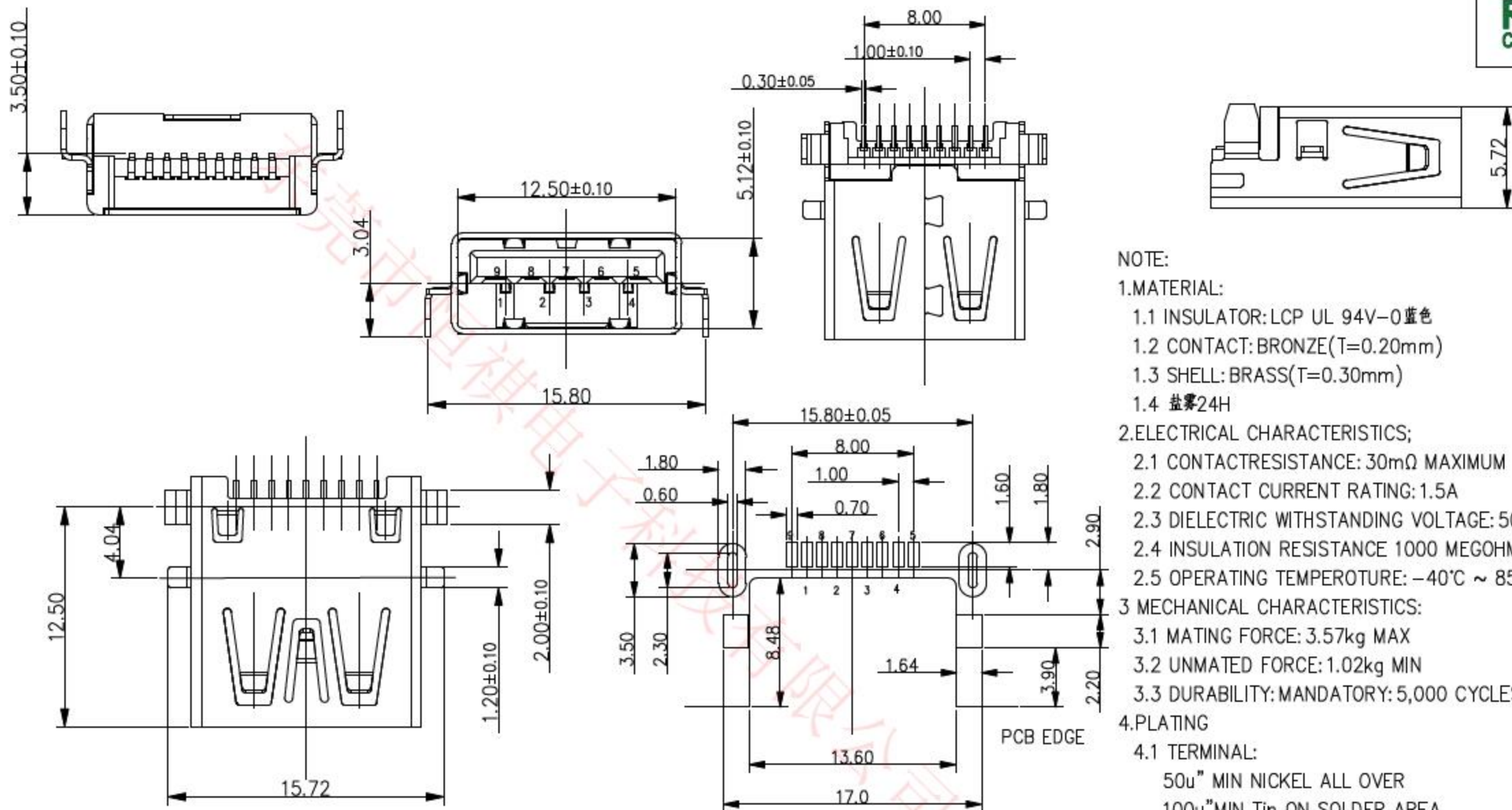


RECOMMENDED PCB LAYOUT
(TOLERANCE+±0.05)

NOTE:

- 1.MATERIAL:
 - 1.1 INSULATOR:LCP UL 94V-0
 - 1.2 CONTACT:BRONZE(T=0.20mm)
 - 1.3 SHELL:BRASS(T=0.30mm)
- 2.ELECTRICAL CHARACTERISTICS:
 - 2.1 CONTACTRESISTANCE: 30mΩ MAXIMUM
 - 2.2 CONTACT CURRENT RATING:1.5A
 - 2.3 DIELECTRIC WITHSTANDING VOLTAGE: 500 V R.M.S.
 - 2.4 INSULATION RESISTANCE 1000 MEGOHMS MIN
 - 2.5 OPERATING TEMPERATURE: -40°C ~ 85°C
- 3 MECHANICAL CHARACTERISTICS:
 - 3.1 MATING FORCE: 3.57kg MAX
 - 3.2 UNMATED FORCE: 1.02kg MIN
 - 3.3 DURABILITY: MANDATORY: 5,000 CYCLES
- 4.PLATING
 - 4.1 TERMINAL:
 - 50u" MIN NICKEL ALL OVER
 - 100u"MIN Tin ON SOLDER AREA
 - (1~30)u"Au ON CONTACT AREA
 - 4.2 SHELL: 100u"MIN.NICEL ALL OVER
- 5." ▼ FOR MAJOR DIM

设计:	Arvin: 2016.03.08	范围 Range	公差 Tolerance	东莞市恒祺电子科技有限公司	
审核:	Arvin:	X.X ±	X.X ±0.30		
校对:	Ru yi:	X.XX ±	X.XX ±0.20	名称:USB插座	料号:
比例:	视角关系:	X.XXX ±	X.XXX ±0.10	型号: USB3.0 A/F沉板3.5贴片14.25MM卷边	
版次:	图框大小: A4	Angle ±	Angle ±5°	共 张 , 第 张	备注:



NOTE:

1.MATERIAL:

- 1.1 INSULATOR:LCP UL 94V-0蓝色
- 1.2 CONTACT:BRONZE(T=0.20mm)
- 1.3 SHELL:BRASS(T=0.30mm)
- 1.4 盐雾24H

2.ELECTRICAL CHARACTERISTICS;

- 2.1 CONTACTRESISTANCE: 30mΩ MAXIMUM
- 2.2 CONTACT CURRENT RATING:1.5A
- 2.3 DIELECTRIC WITHSTANDING VOLTAGE:500 V R.M.S.
- 2.4 INSULATION RESISTANCE 1000 MEGOHMS MIN
- 2.5 OPERATING TEMPERATURE: -40°C ~ 85°C

3 MECHANICAL CHARACTERISTICS:

- 3.1 MATING FORCE: 3.57kg MAX
- 3.2 UNMATED FORCE: 1.02kg MIN
- 3.3 DURABILITY: MANDATORY: 5,000 CYCLES

4.PLATING

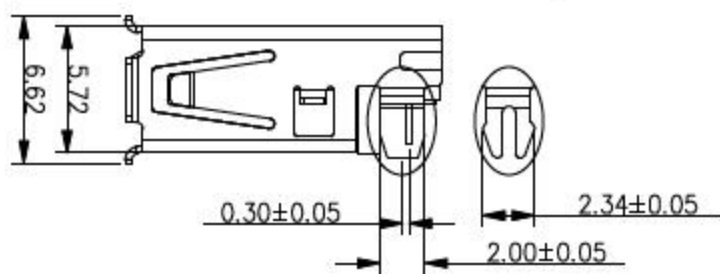
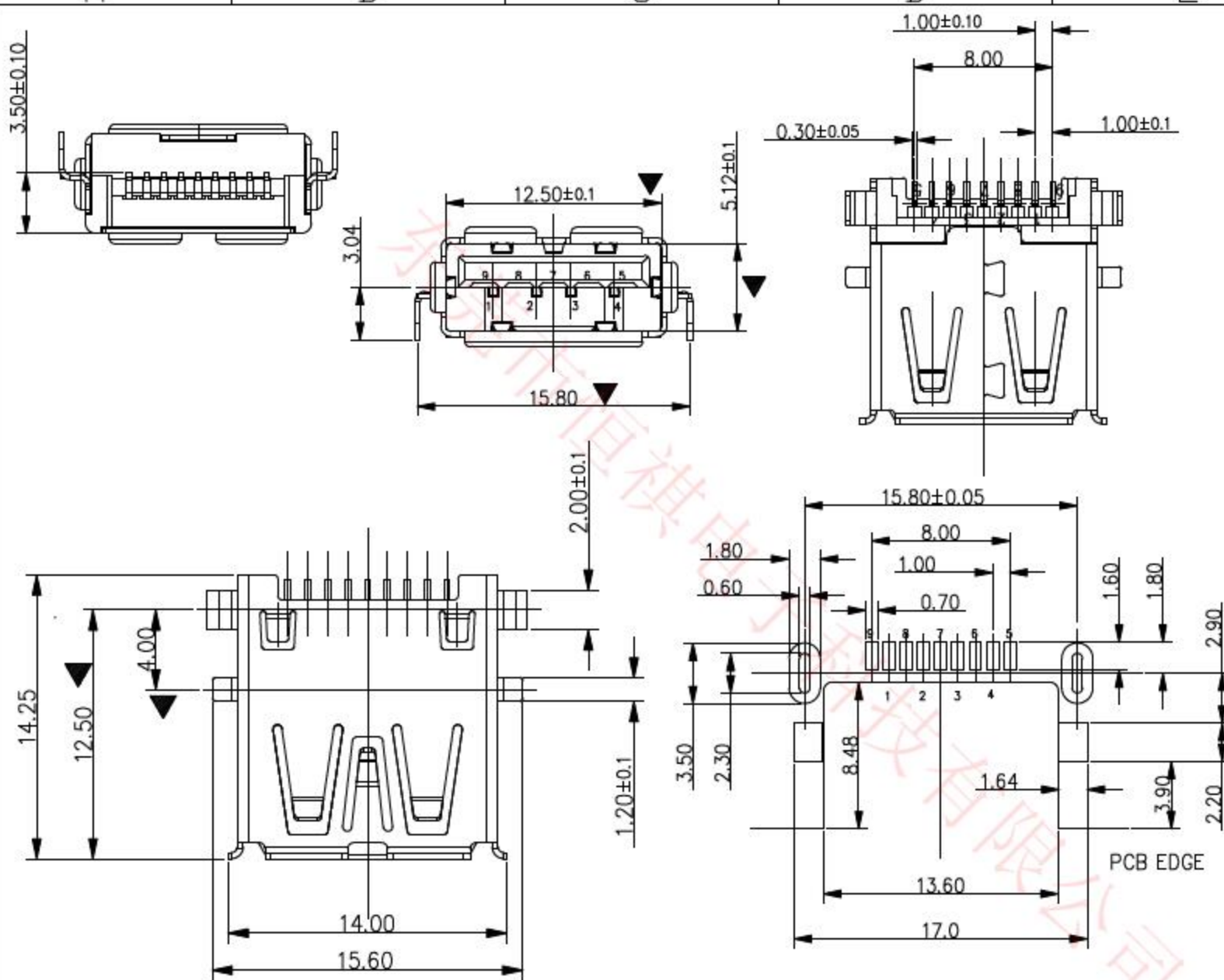
- 4.1 TERMINAL:
50u" MIN NICKEL ALL OVER
100u"MIN Tin ON SOLDER AREA
(1)u"Au ON CONTACT AREA
- 4.2 SHELL: 100u"MIN.NICEL ALL OVER
- 5." " FOR MAJOR DIM

RECOMMENDED PCBA LAYOUT
(TOLERANCE±±0.05)

设计:	Arvin: 2016.03.08	范围 Range	公差 Tolerance
审核:	Arvin:	X.X ±	X.X ±0.30
校对:	Ru yi:	X.XX ±	X.XX ±0.20
比例:	视角关系:	X.XXX ±	X.XXX ±0.10
版次:	图框大小: A4	Angle ±	Angle ±5°

东莞市恒祺电子科技有限公司

名称:USB插座 料号:
型号: USB3.0 A/F沉板3.5贴片14.25MM无卷边
共 张 , 第 张 备注:



- NOTE:
- 1.MATERIAL:
 - 1.1 INSULATOR:LCP UL 94V-0
 - 1.2 CONTACT:BRONZE(T=0.20mm)
 - 1.3 SHELL:BRASS(T=0.30mm)
 - 2.ELECTRICAL CHARACTERISTICS;
 - 2.1 CONTACTRESISTANCE: 30mΩ MAXIMUM
 - 2.2 CONTACT CURRENT RATING:1.5A
 - 2.3 DIELECTRIC WITHSTANDING VOLTAGE: 500 V R.M.S.
 - 2.4 INSULATION RESISTANCE 1000 MEGOHMS MIN
 - 2.5 OPERATING TEMPERATURE: -40°C ~ 85°C
 - 3 MECHANICAL CHARACTERISTICS:
 - 3.1 MATING FORCE: 3.57kg MAX
 - 3.2 UNMATED FORCE:1.02kg MIN
 - 3.3 DURABILITY:MANDATORY: 5,000 CYCLES
 - 4.PLATING
 - 4.1 TERMINAL:
 - 50u" MIN NICKEL ALL OVER
 - 100u"MIN Tin ON SOLDER AREA
 - (1~30)u"Au ON CONTACT AREA
 - 4.2 SHELL:100u"MIN.NICEL ALL OVER
 - 5." ▼OR MAJOR DIM

RECOMMENDED PCBA LAYOUT (TOLERANCE+±0.05)

设计:	Arvin: 2016.03.08	范围 Range	公差 Tolerance	东莞市恒祺电子科技有限公司	
审核:	Arvin:	X.X ±	X.X ±0.30		
校对:	Ru yi:	X.XX ±	X.XX ±0.20	名称:USB插座	料号:
比例:	视角关系:	X.XXX ±	X.XXX ±0.10	型号: USB3.0 A/F沉板3.5贴片14.25MM卷边	
版次:	图框大小: A4	Angle ±	Angle ±5°	共 张 , 第 张	备注: