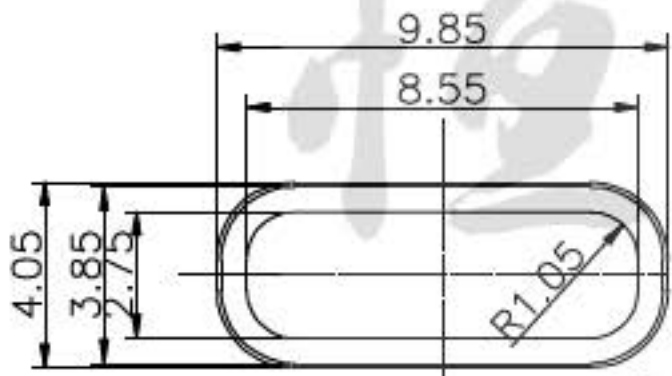
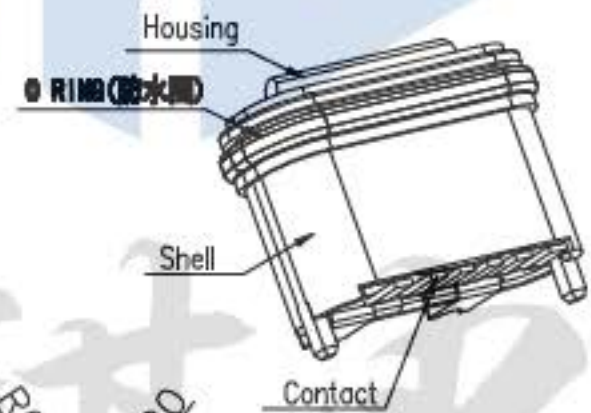
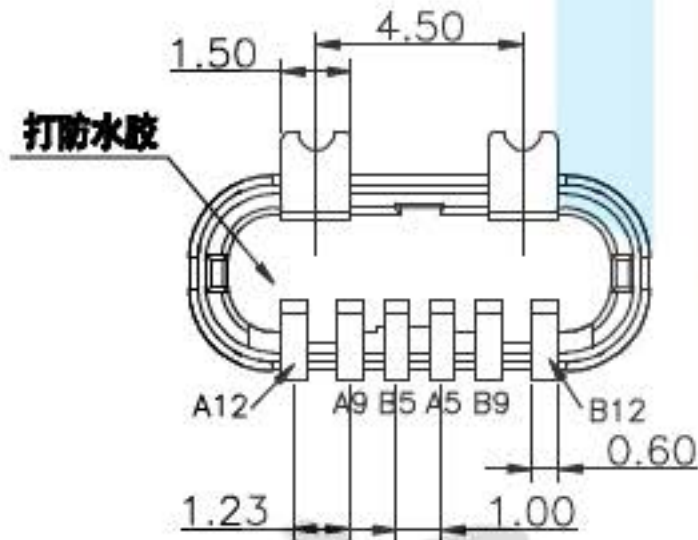
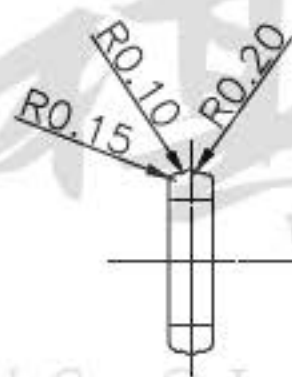


PCB LAYOUT 图仅供参考  
PBC建议厚度0.8mm



防水圈尺寸图



- 1.ELECTRICAL:  
 1-1:CURRENT RATAING: 3.0A  
 1-2:INITIAL CONTACT RESISTANCE :40 MEGOHMS  
 1-3:DIEELECTRIC WITHSTANDING VOLTAGE:  
 100V AC MIN;  
 2:MECHANICAL CHARACTERISTICS:  
 2-1:MATING FORCE:5~20N  
 2-2:UNMATING FORCE:8~20N(INITIAL),  
 6~20N(AFTER 10000 CYCLES)  
 2-3:FREQUENCE: 200±50 CYCLES /HOUR,10000 CYCLES  
 2-4:OPERATING TEMPERATURE ;-40°~80°.  
 3: WATERPROOF: IP-X7.

设计:	Arvin: 2016.03.08	范围 Range	公差 Tolerance	东莞市恒祺电子科技有限公司	
审核:	Arvin:	X.X ±	X.X ±0.30		
校对:	Ru yi:	X.XX ±	X.XX ±0.20	名称:TYPE-C	料号:
比例:	视角关系:	X.XXX ±	X.XXX ±0.10	形号: 6PIN立贴防水形	
版次:	图框大小: A4	Angle ±	Angle ±5°	共 张 , 第 张	备注:

HENG QI DIAN ZI